

## Stainless Steel, Welded Seal S-Beam Load Cell

### FEATURES

- Rated capacities of 500 to 20,000 pounds
- Stainless steel, welded seal construction
- Integrated loading brackets
- Compatible with TCM tension mounting hardware
- Designed for single or multiple load cell applications
- Trade certified for NTEP Class III: 10000d and III: 5000d
- *Sensorgage™* sealed to IP68 standards
- Factory Mutual System Approved for Classes I, II, III; Divisions 1 and 2; Groups A through G. Also, non-incendive ratings (No barriers!)
- **Optional**
  - Mounting and loading accessory hardware available



### APPLICATIONS

- Hostile environments: Food and beverage processing  
Chemical and plastics processing  
Pharmaceutical and biomedical
- Bin, hopper and belt conveyor scales
- Level and inventory monitoring
- Tension and compression measurements

### DESCRIPTION

The Model 60063 is a stainless steel S-Type load cell. Its welded sealing, combined with high accuracy, make this load cell ideally suited for a wide range of applications of process weighing and force measurement.

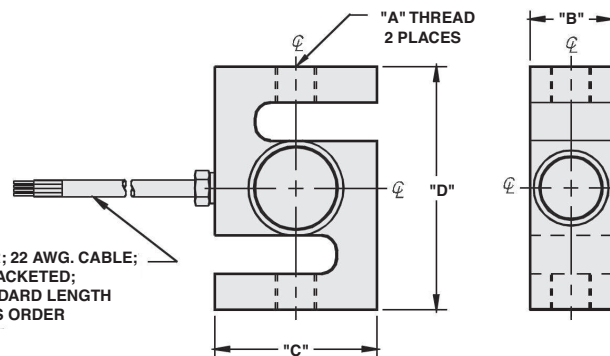
Approvals included NTEP III 5000d single and NTEP III 10000d multiple. Also available are versions approved for hazardous areas - FM I, II, III Division 1.

### OUTLINE DIMENSIONS IN INCHES

#### Wiring

+ Excitation	Red
- Excitation	Black
+ Output	Green
- Output	White

4 CONDUCTOR; 22 AWG. CABLE;  
SHIELDED & JACKETED;  
20 FOOT STANDARD LENGTH  
OR PER SALES ORDER



CAPACITY	A	B	C	D	DEFLECTION	WEIGHT
500-3k	1/2-20	1.00	2.00	3.00	0.010	3.0
5k-10k	3/4-16	1.00	3.50	4.75	0.010	5.00
15k	1-14	1.25	4.00	5.50	—	—
20k	1-1/4-12	2.00	5.00	7.00	—	—

Capacities are in pounds. Deflection is  $\pm 10\%$ . Certified drawings are available.

Stainless Steel, Welded Seal S-Beam Load Cell

<b>SPECIFICATIONS</b>				
<b>PARAMETER</b>	<b>VALUE</b>			<b>UNIT</b>
<b>Rated capacity—R.C. (E<sub>max</sub>)</b>	500, 750, 1k, 1.5k, 2k, 2.5k, 3k, 5k, 10k*, 15k, 20k			lbs
<b>NTEP/OIML accuracy class</b>	NTEP III	NTEP III L	Standard	
<b>Maximum no. of intervals (n)</b>	5000 multiple	10000 multiple		
<b>Y = E<sub>max</sub>/V<sub>min</sub></b>	See NTEP cert. 98-019			Maximum available
<b>Rated output—R.O.</b>	2.0			mV/V
<b>Rated output tolerance</b>	+25%...-10%			±% mV/V
<b>Zero balance</b>	1.0			±% FSO
<b>Combined error</b>	0.02	0.02	0.03	±% FSO
<b>Non-repeatability</b>	0.01	0.01	0.015	±% FSO
<b>Creep error (30 minutes)</b>	0.025	0.03	0.03	±% FSO
<b>Temperature effect on zero</b>	0.0010	0.0010	0.0015	±% FSO/°F
<b>Temperature effect on output</b>	0.0008	0.0008	0.0008	±% of load/°F
<b>Compensated temperature range</b>	14 to 104 (-10 to 40)			°F (°C)
<b>Operating temperature range</b>	0 to 150 (-18 to 65)			°F (°C)
<b>Storage temperature range</b>	-60 to 185 (-50 to 85)			°F (°C)
<b>Maximum safe central overload</b>	150			% of R.C.
<b>Ultimate central overload</b>	300			% of R.C.
<b>Excitation, recommended</b>	10			VDC or VAC RMS
<b>Excitation, maximum</b>	15			VDC or VAC RMS
<b>Input impedance</b>	349-450			Ω
<b>Output impedance</b>	349-355			Ω
<b>Insulation resistance at 50VDC</b>	>1000			MΩ
<b>Material</b>	Stainless steel			
<b>Environmental protection</b>	IP68			

**Note:** \* NTEP approval 500-5k lbs only.

FSO—Full Scale Output

All specifications subject to change without notice.



## Disclaimer

ALL PRODUCTS, PRODUCT SPECIFICATIONS AND DATA ARE SUBJECT TO CHANGE WITHOUT NOTICE.

Vishay Precision Group, Inc., its affiliates, agents, and employees, and all persons acting on its or their behalf (collectively, "VPG"), disclaim any and all liability for any errors, inaccuracies or incompleteness contained herein or in any other disclosure relating to any product.

The product specifications do not expand or otherwise modify VPG's terms and conditions of purchase, including but not limited to, the warranty expressed therein.

VPG makes no warranty, representation or guarantee other than as set forth in the terms and conditions of purchase. **To the maximum extent permitted by applicable law, VPG disclaims (i) any and all liability arising out of the application or use of any product, (ii) any and all liability, including without limitation special, consequential or incidental damages, and (iii) any and all implied warranties, including warranties of fitness for particular purpose, non-infringement and merchantability.**

Information provided in datasheets and/or specifications may vary from actual results in different applications and performance may vary over time. Statements regarding the suitability of products for certain types of applications are based on VPG's knowledge of typical requirements that are often placed on VPG products. It is the customer's responsibility to validate that a particular product with the properties described in the product specification is suitable for use in a particular application. You should ensure you have the current version of the relevant information by contacting VPG prior to performing installation or use of the product, such as on our website at [vpgsensors.com](http://vpgsensors.com).

No license, express, implied, or otherwise, to any intellectual property rights is granted by this document, or by any conduct of VPG.

The products shown herein are not designed for use in life-saving or life-sustaining applications unless otherwise expressly indicated. Customers using or selling VPG products not expressly indicated for use in such applications do so entirely at their own risk and agree to fully indemnify VPG for any damages arising or resulting from such use or sale. Please contact authorized VPG personnel to obtain written terms and conditions regarding products designed for such applications.

Product names and markings noted herein may be trademarks of their respective owners.

Copyright Vishay Precision Group, Inc., 2014. All rights reserved.